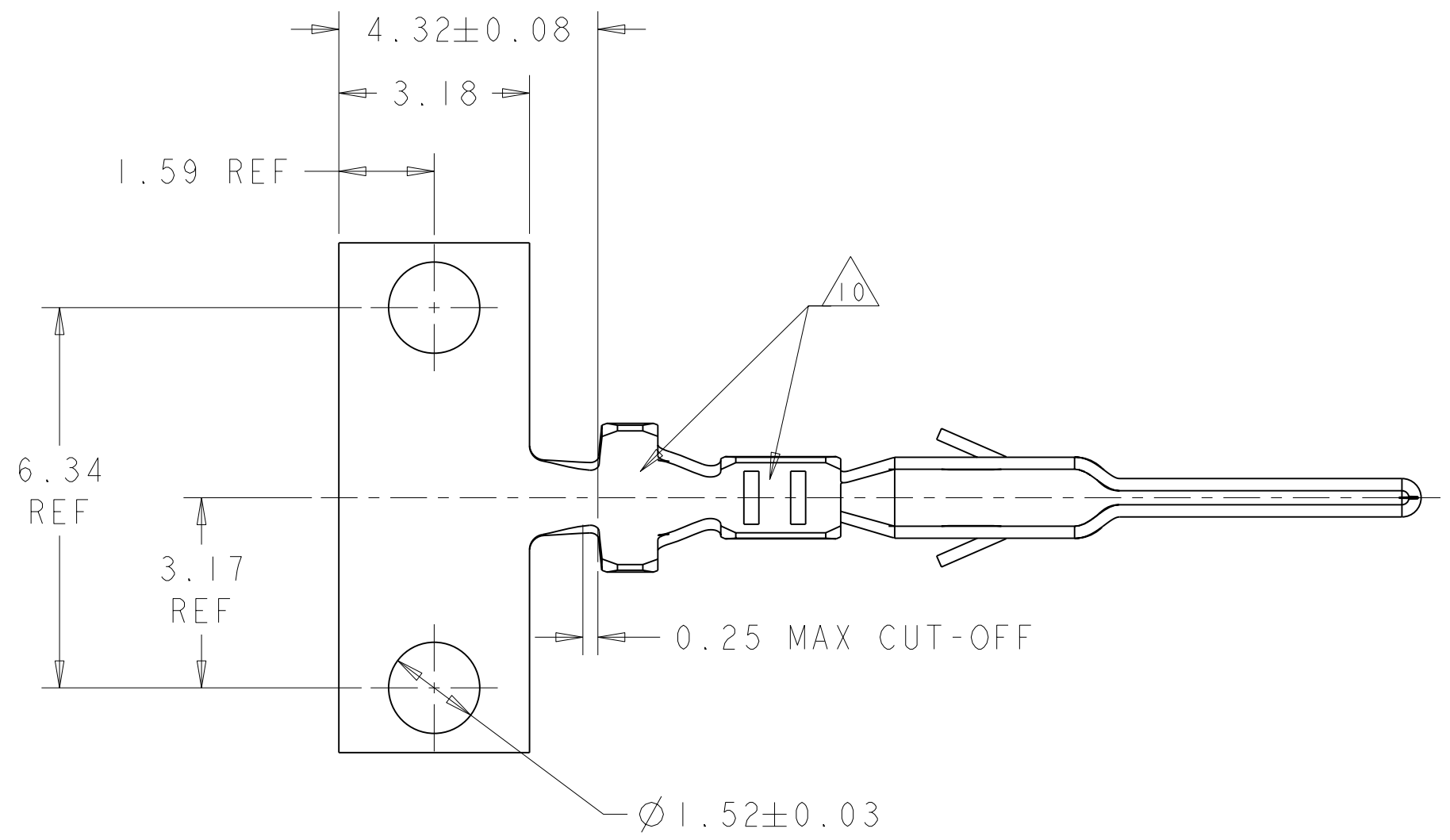
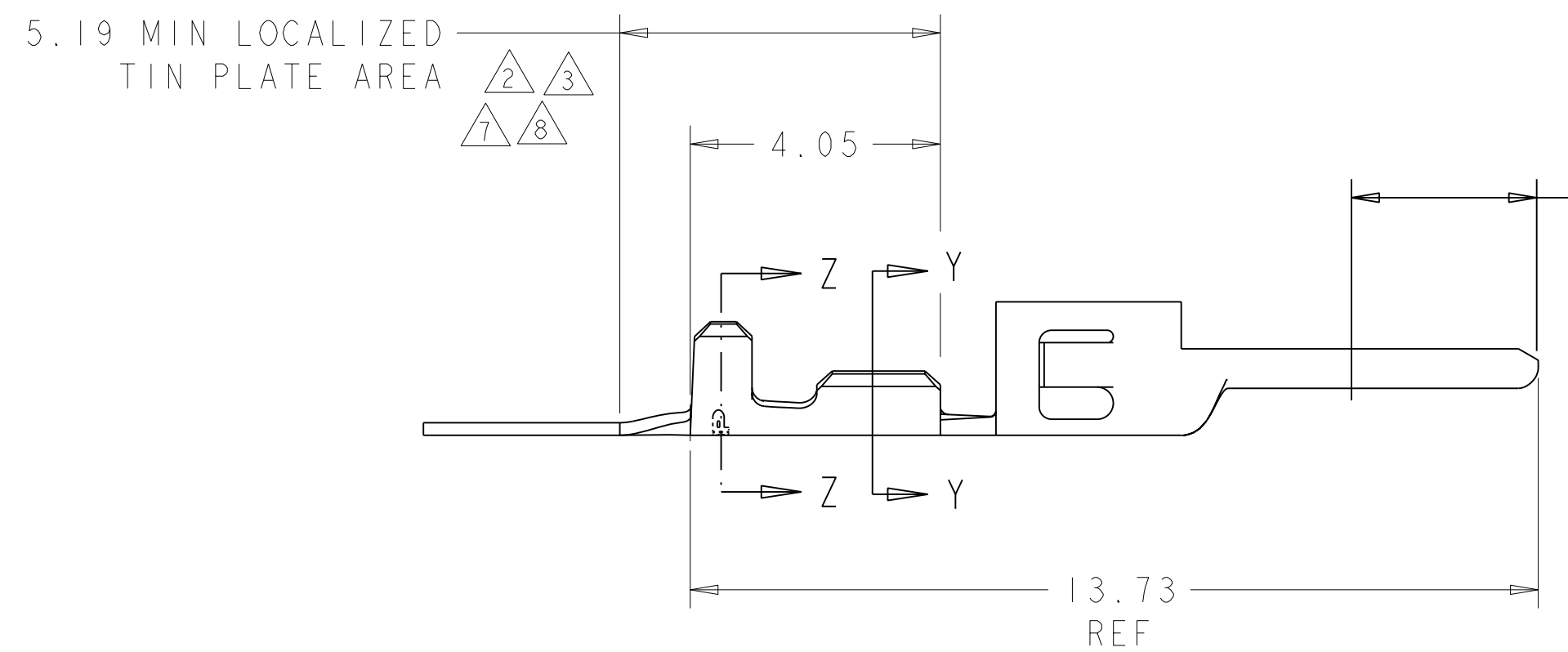


THIS DRAWING IS UNPUBLISHED. RELEASED FOR PUBLICATION 20
 © COPYRIGHT 20 BY TYCO ELECTRONICS CORPORATION. ALL RIGHTS RESERVED.

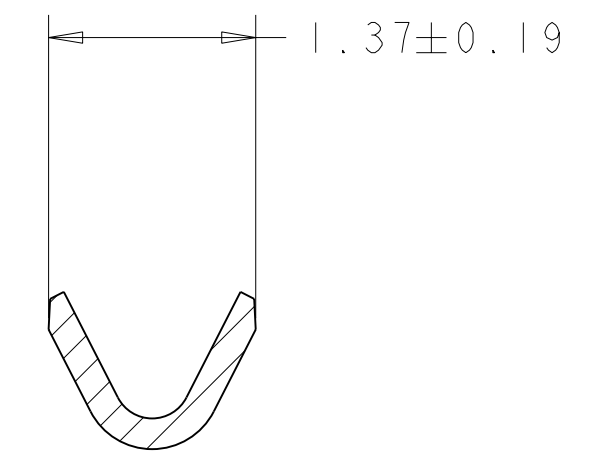
LOC	DIST	REVISIONS					
CM	00	P	LTR	DESCRIPTION	DATE	DWN	APVD
		B		REVISED PER 0G3B-0289-03	24-JUN-03	KW	CJ
		C		REVISED PER 0G3B-1055-04	05JAN05	KW	CJ
		CI		REVISED PER ECO-05-015508	24FEB06	KW	CJ



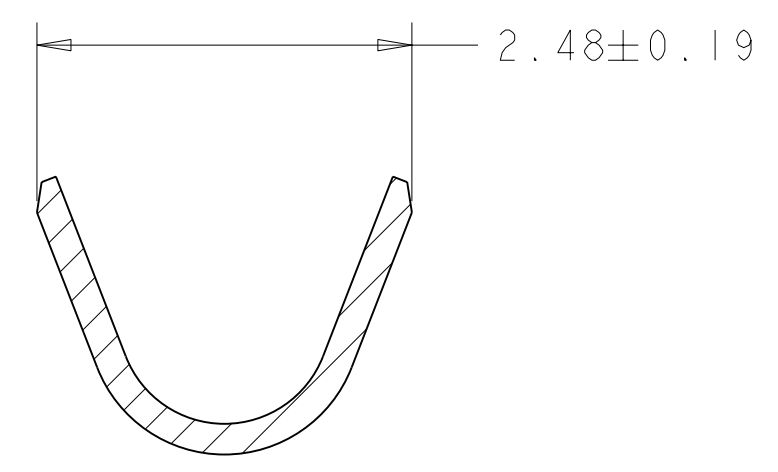
- 1 2.54-6.35 µm MIN BRIGHT TIN/LEAD ENTIRE STOCK OVER 1.27-3.81 µm MIN NICKEL ENTIRE STOCK.
- 2 0.38 µm MIN GOLD IN LOCALIZED GOLD PLATE AREA, 2.54-6.35 µm MIN BRIGHT TIN/LEAD IN LOCALIZED TIN/LEAD PLATE AREA, BOTH OVER 1.27-3.81 µm MIN NICKEL ON ENTIRE STOCK.
- 3 0.76 µm MIN GOLD IN LOCALIZED GOLD PLATE AREA, 2.54-6.35 µm MIN BRIGHT TIN/LEAD IN LOCALIZED TIN/LEAD PLATE AREA, BOTH OVER 1.27-3.81 µm MIN NICKEL ON ENTIRE STOCK.
- 4. WIRE RANGE 26-30 AWG.
- 5. INSULATION RANGE 0.89-1.52
- 6 2.54-6.35 µm MIN BRIGHT TIN ENTIRE STOCK OVER 1.27-3.81 µm MIN NICKEL ENTIRE STOCK.
- 7 0.38 µm MIN GOLD IN LOCALIZED GOLD PLATE AREA, 2.54-6.35 µm MIN BRIGHT TIN IN LOCALIZED TIN PLATE AREA, BOTH OVER 1.27-3.81 µm MIN NICKEL ON ENTIRE STOCK.
- 8 0.76 µm MIN GOLD IN LOCALIZED GOLD PLATE AREA, 2.54-6.35 µm MIN BRIGHT TIN IN LOCALIZED TIN PLATE AREA, BOTH OVER 1.27-3.81 µm MIN NICKEL ON ENTIRE STOCK.
- 9 NOTE DELETED.
- 10 TIN PLATING THICKNESS INSIDE WIRE AND INSULATION BARRELS TO BE 1.27 µm MIN.



3.00 MIN LOCALIZED GOLD PLATE AREA 2 3 7 8

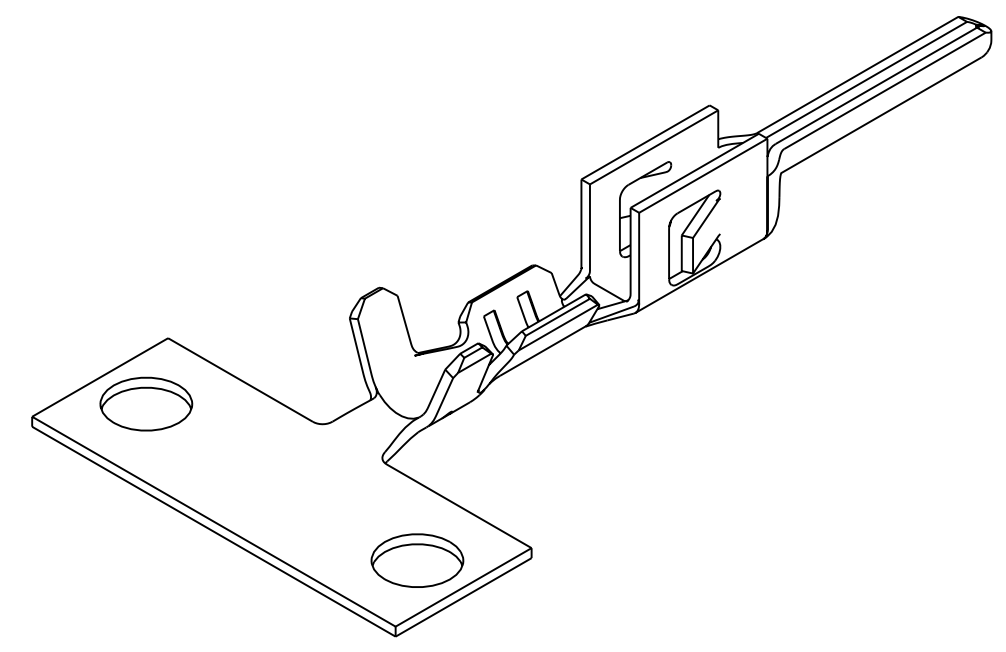


SECTION Y-Y
SCALE 20:1



SECTION Z-Z
SCALE 20:1

8	1-794609-2
7	1-794609-1
6	1-794609-0
3	794609-3
2	794609-2
1	794609-1
FINISH	PART NUMBER



METRIC

<small>THIS DRAWING IS A CONTROLLED DOCUMENT FOR TYCO ELECTRONICS CORPORATION. IT IS SUBJECT TO CHANGE AND THE CONTROLLING ENGINEERING ORGANIZATION SHOULD BE CONTACTED FOR THE LATEST REVISION.</small>		DWN W J RUDY 29AUG2000 CHK W DAVIS 29AUG2000 APVD W DAVIS 29AUG2000	tyco Tyco Electronics Harrisburg, PA 17105-3608
DIMENSIONS: mm 	TOLERANCES UNLESS OTHERWISE SPECIFIED: 0 PLC ± 1 PLC ± 2 PLC ±0.13 3 PLC ± 4 PLC ± ANGLES ±	PRODUCT SPEC - APPLICATION SPEC - WEIGHT -	NAME PLUG CONTACT, CRIMP SNAP, 26-30 AWG, MICRO MATE-N-LOK(TM) SIZE A2 CAGE CODE 00779 DRAWING NO C=794609 RESTRICTED TO -
MATERIAL 0.20 THK BRASS	FINISH -	CUSTOMER DRAWING	SCALE 10:1 SHEET 1 OF 1 REV C1